



RHINO-RACK

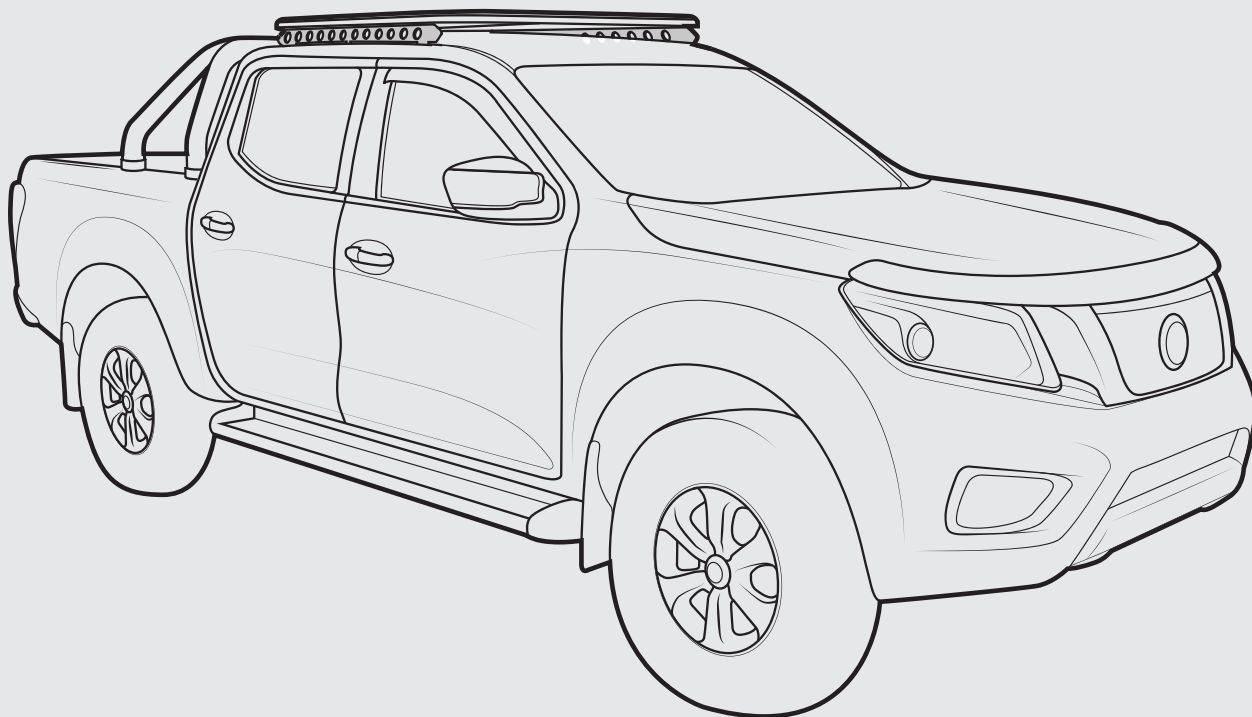
CONTROLLED

NISSAN NP300 BACKBONE - RNNB2

Important:

1. Check the Rhino-Rack website to ensure you have the latest issue of these instructions.
2. Please refer to your fitting instruction to ensure that the roof racks are installed in the correct locations.
3. Check the contents of kit before commencing fitment and report any discrepancies.
4. Place these instructions in the vehicle's glove box after installation is complete.
5. These instructions must be followed for warranty to be upheld.

Fit Time: 1 hour



RNNB2 Backbone Instructions

Carrying Capacity

Max system load capacity up to 100kg.

Check your vehicle owners hand book for vehicle maximum carrying capacity. Please ensure you use the vehicle manufacturers maximum roof allowance if it is lower than the figure listed in this instruction.

Load must be evenly distributed over the system.

ON ROAD CARGO ALLOWANCE (R)	OFF ROAD CARGO ALLOWANCE (OR)	VEHICLE ROOF LOAD LIMIT (VLL)	SYSTEM WEIGHT (SW). Platform weight to be added.
$(VLL) - (5\text{kg}/11\text{lbs}) = \text{xxkg}/\text{xxlbs}$	$(R)/1.5 = (OR)$	$\text{XXkg} / \text{XXlb}$ (CHECK VEHICLE OWNERS HANDBOOK FOR SPECIFIC FIGURE).	5kg/11lbs

Off Road: Any driven path taken that does not contain a surface protection layer (tar/bitumen).

Vehicle Load Limit: Total permissible weight attached to the roof of the car. This is inclusive of the weight of the roof rack system.

System Load Limit: Total permissible weight allowed on top, and attached to roof racks whilst the vehicle is in motion.

Torque Settings

Unless stated otherwise in these instructions, all fasteners should be set to the following torque settings - M6: 4-5Nm (3-4lbs/ft), M8: 8-10Nm (6-7.5lbs/ft) and M10: 16-18Nm (12-13lbs/ft).

Warning

- Check part number/ or kit is correct for use with your vehicle.
- Do not attempt to fit the rack system to your vehicle unless you fully understand these fitting instructions. Please direct any questions regarding fitting to the dealer from where the roof racks were purchased.
- Although the system is tested and approved to AS1235-2000 / ISO 11154, off-road conditions can be much more rigorous. Extreme care must be taken in off road conditions.
- Roof racks must be removed when vehicle is put through an automatic car wash.
- With utility vehicles, the cabin and the canopy move independently. Roofracks and vehicle can be damaged if the item transported is rigidly fixed at points on both the cabin and canopy. Instead, rigidly fix to either the cabin roofracks or the canopy roofracks.
- Always ensure you fasten your load securely.
- Use only non-stretch fastening ropes or straps to attach cargo to your load.

In service maintenance checks

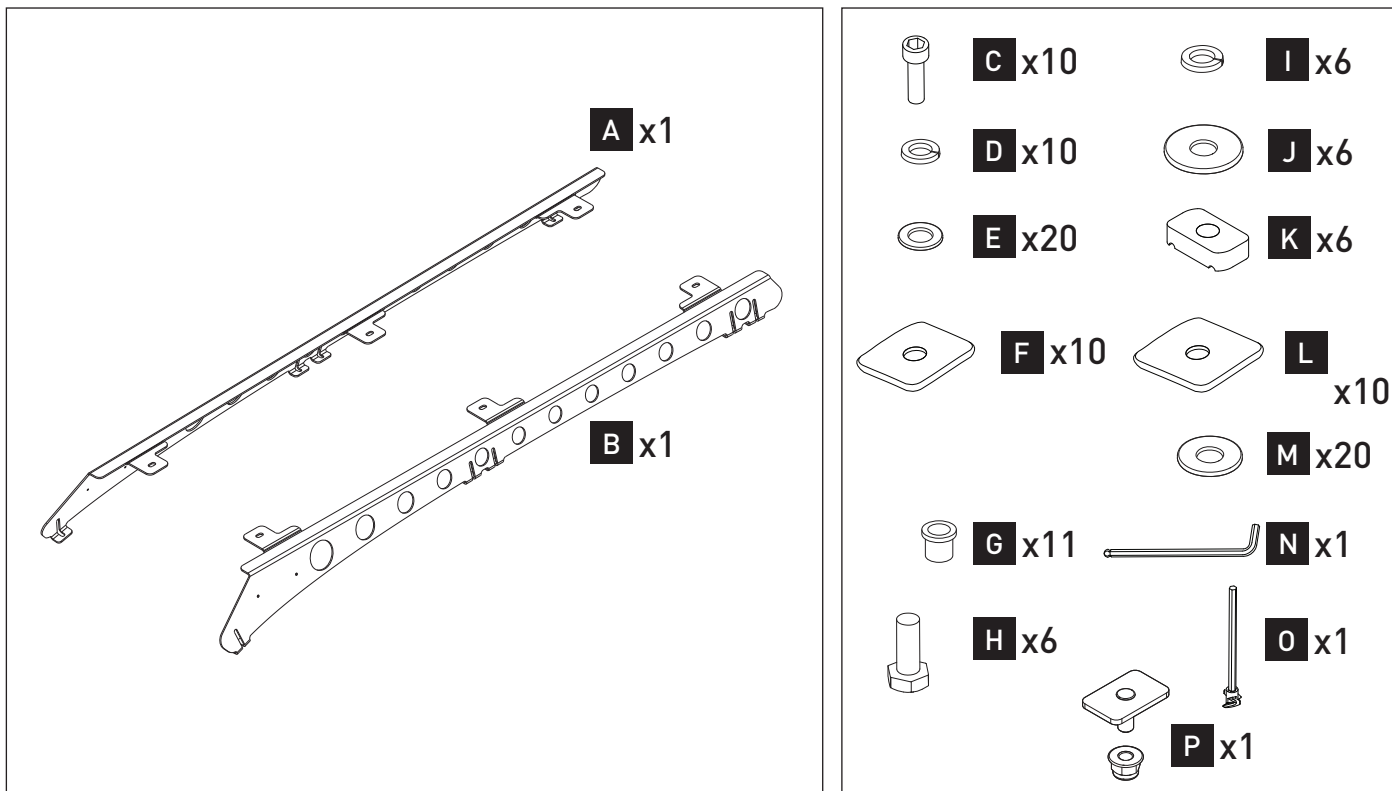
- All bolted connections should be checked after driving a short distance when you first install your roof racks.
- All bolted connections should be checked again at regular intervals (weekly is recommended, depending on road conditions, usage, loads and distances travelled).

Note for Dealers and Fitters

It is your responsibility to ensure these fitting instructions are given to the end user or client. These instructions remain the property of Rhino-Rack Australia Pty. Ltd. and may not be used or changed for any other purpose than intended.

RNNB2 Backbone Instructions

Parts List

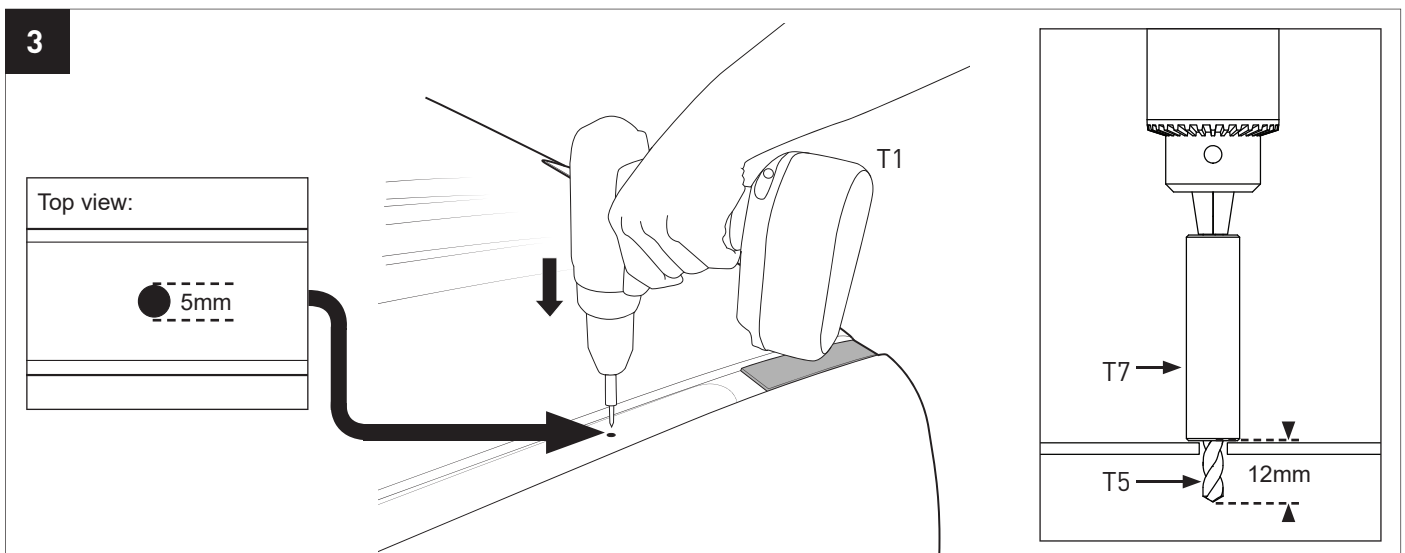
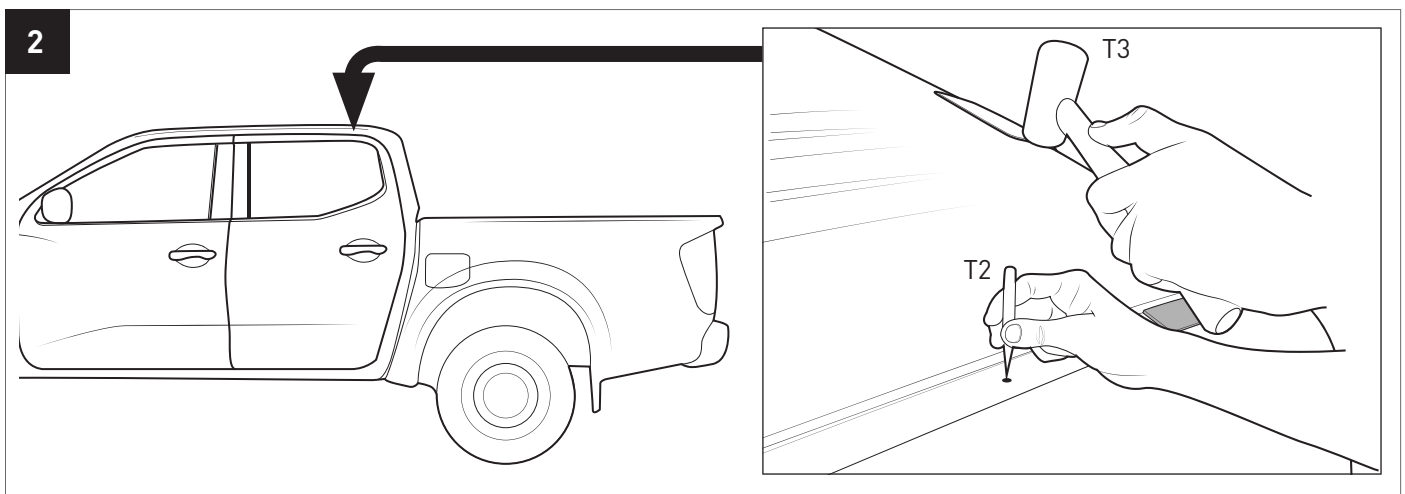
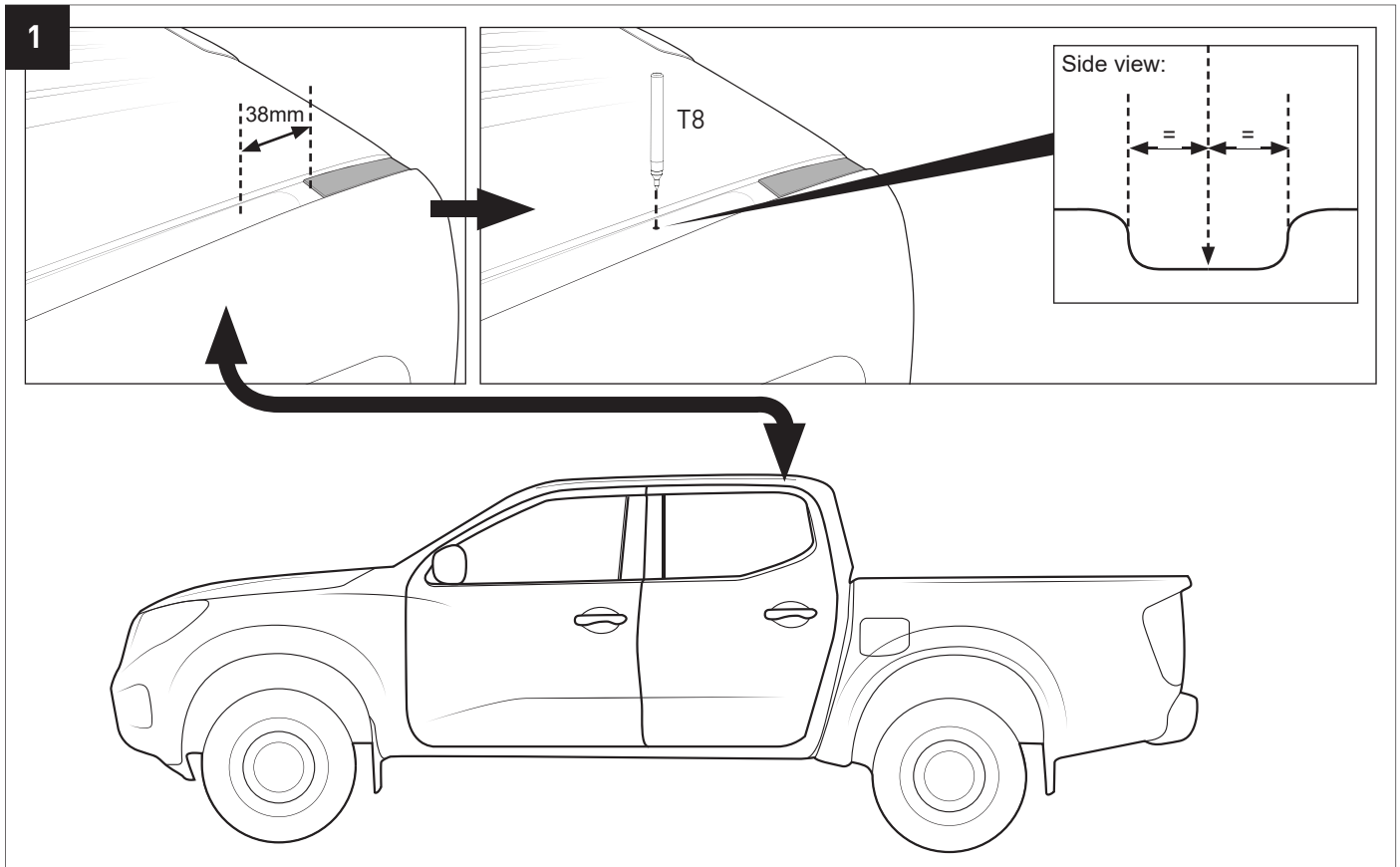


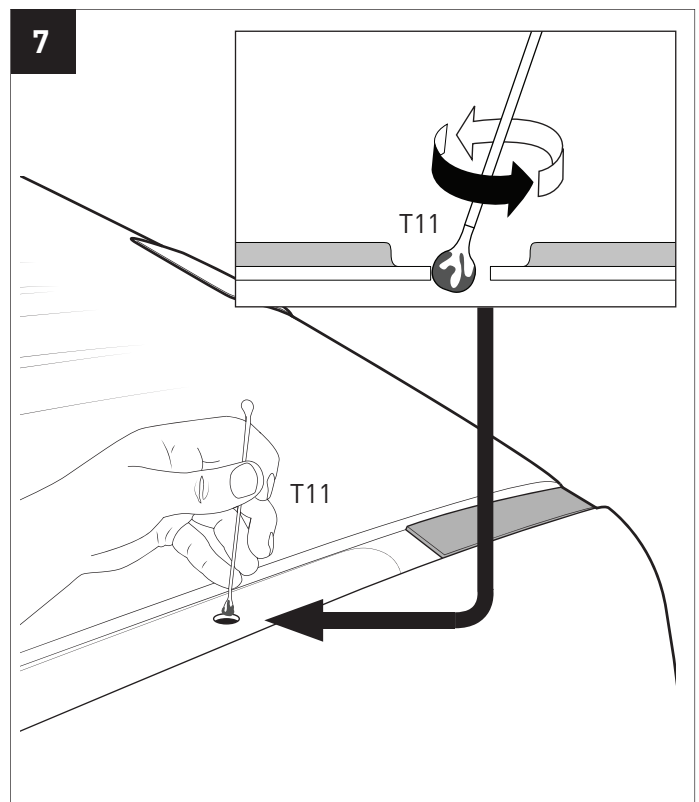
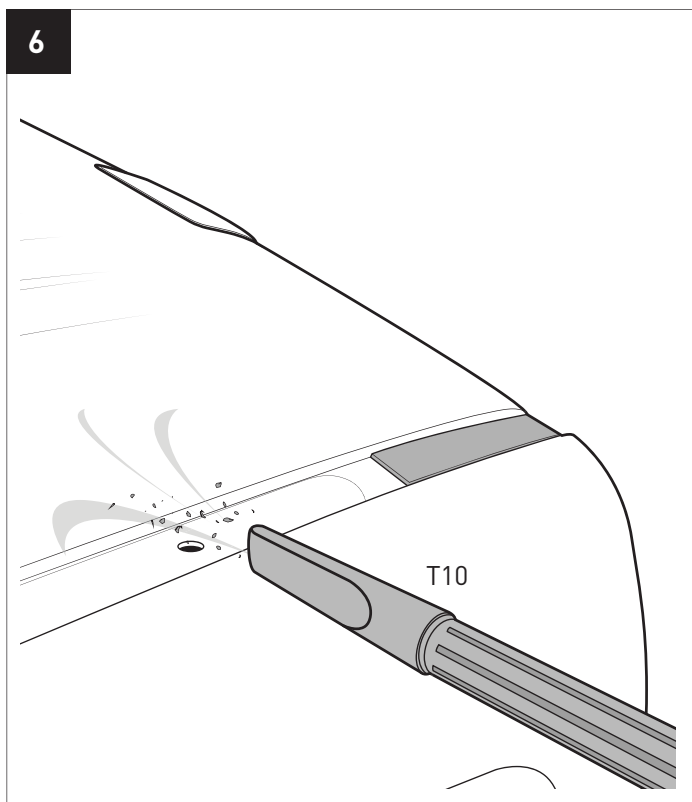
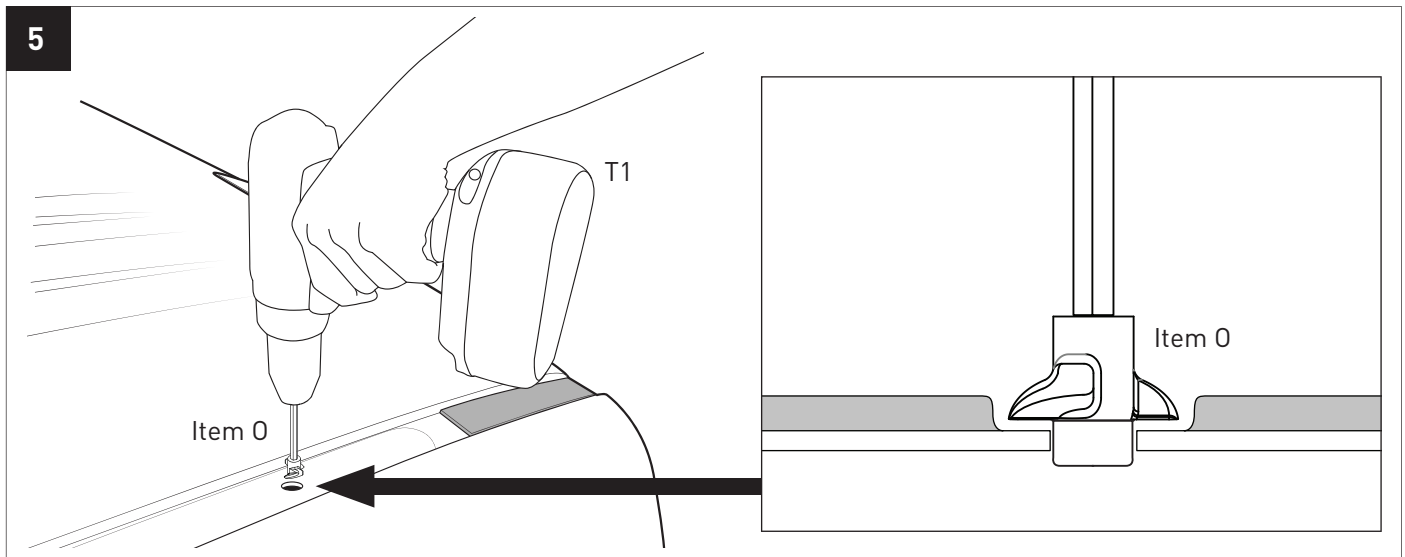
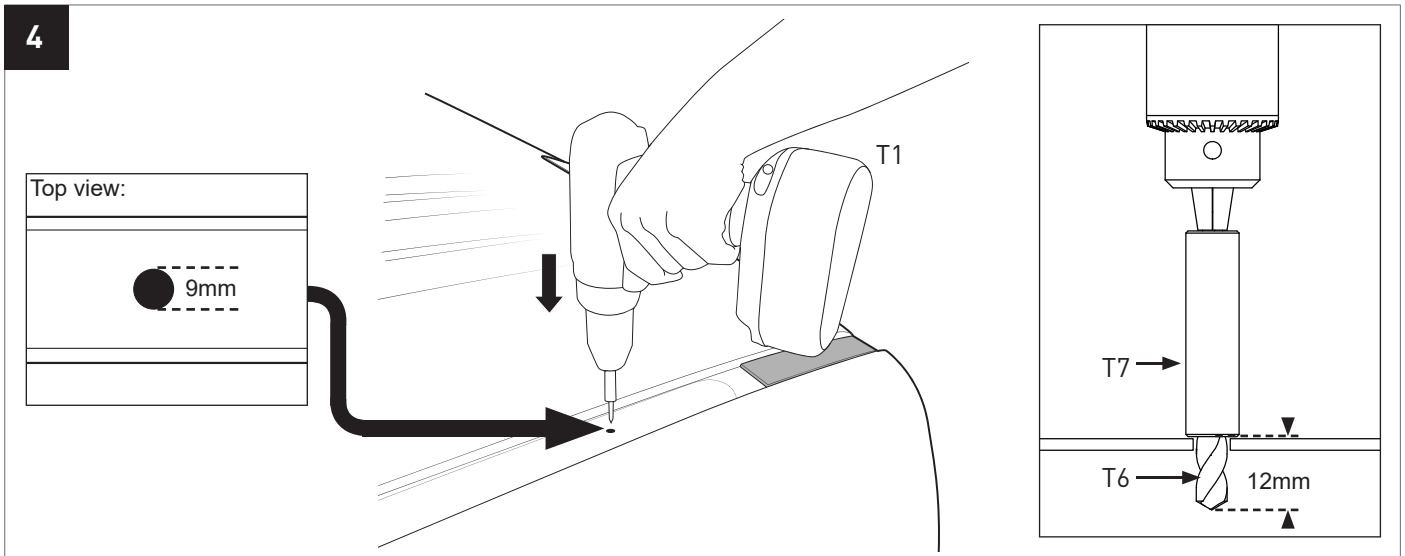
Item	Description	Qty
A	NP300 Backbone RHS	1
B	NP300 Backbone LHS	1
C	M6 x 30mm Socket head cap screw	10
D	M6 Spring Washer	10
E	M6 x 16mm flat washer	10
F	Butyl Patch 20mm x 20mm	10
G	M6 Rivnut	11
H	M8 x 20mm hex bolt	6
I	M8 Spring Washer	6
J	M8 x 24mm Flat washer	6
K	M8 Channel nut	6
L	Butyl patch 40mm x 25mm	10
M	M8 x 19mm Flat washer	20
N	Allen key	1
O	Ditch fill tool	1
P	NG bolt kit	1
Q	Instructions	1

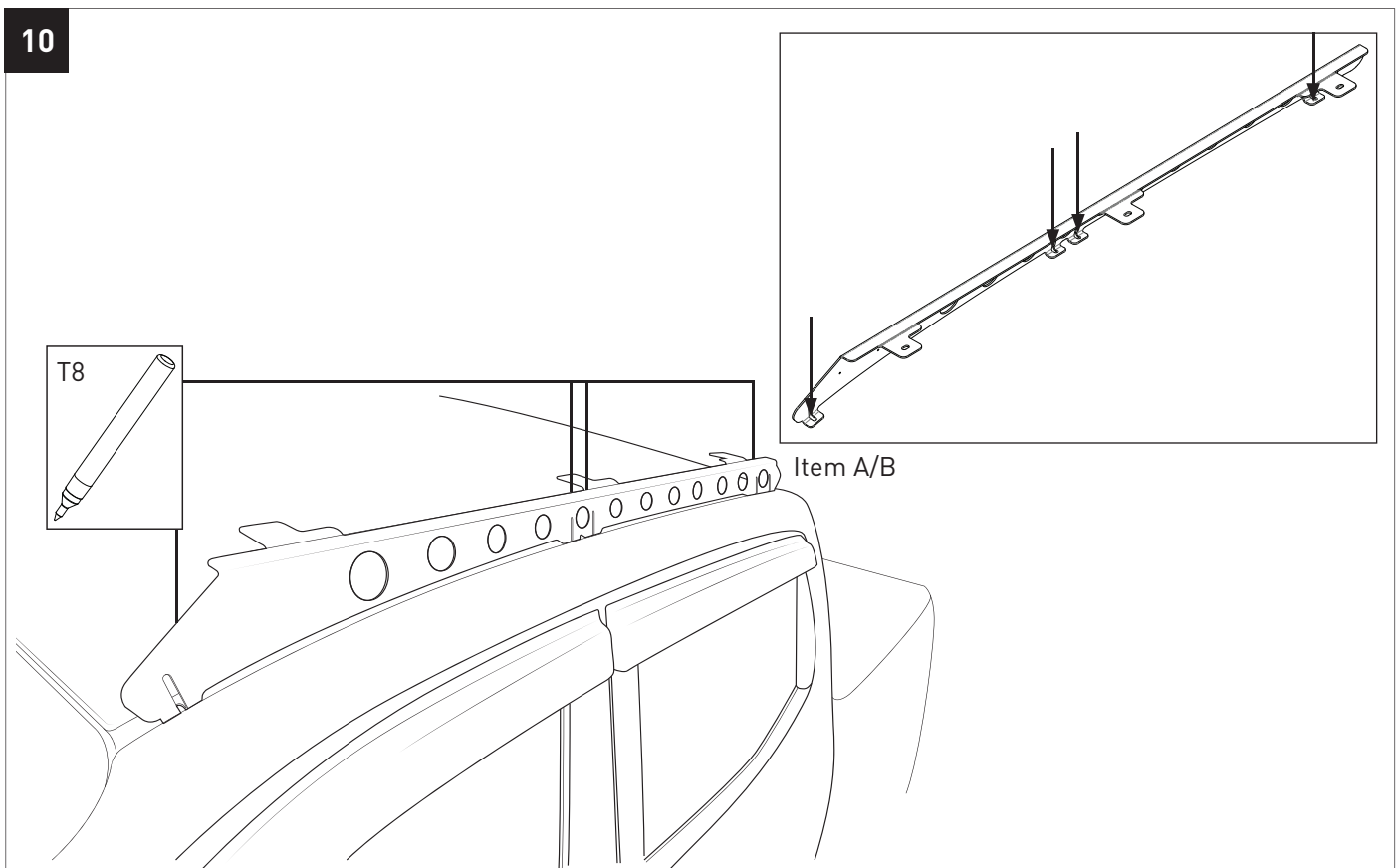
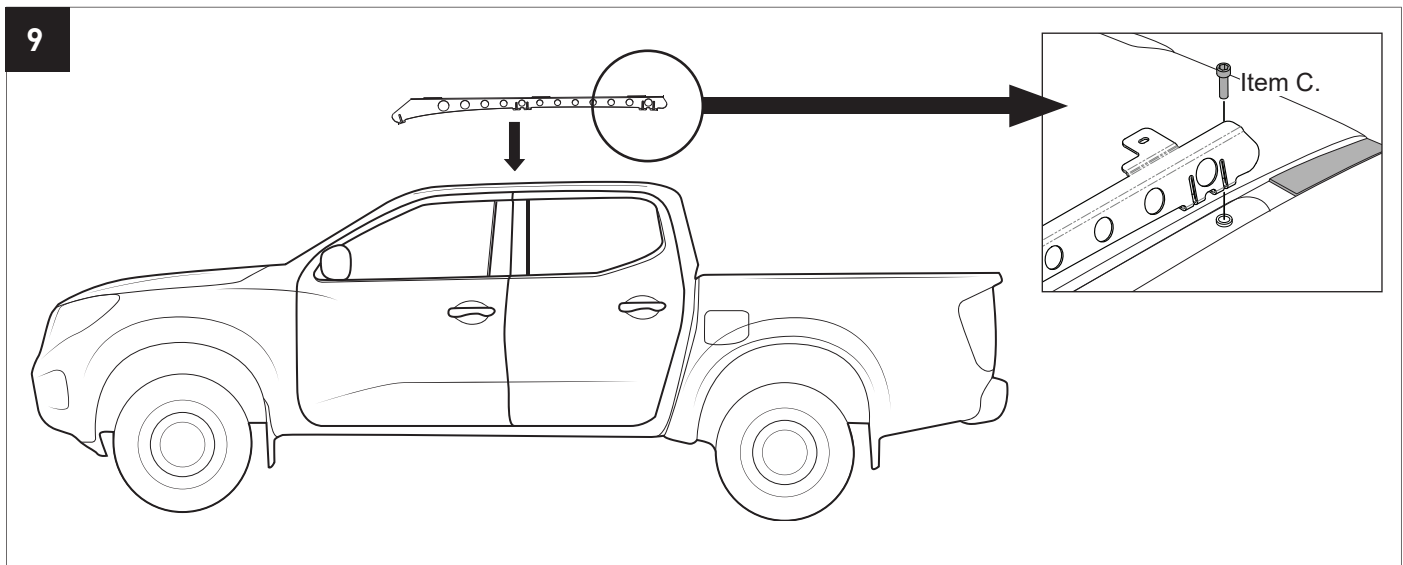
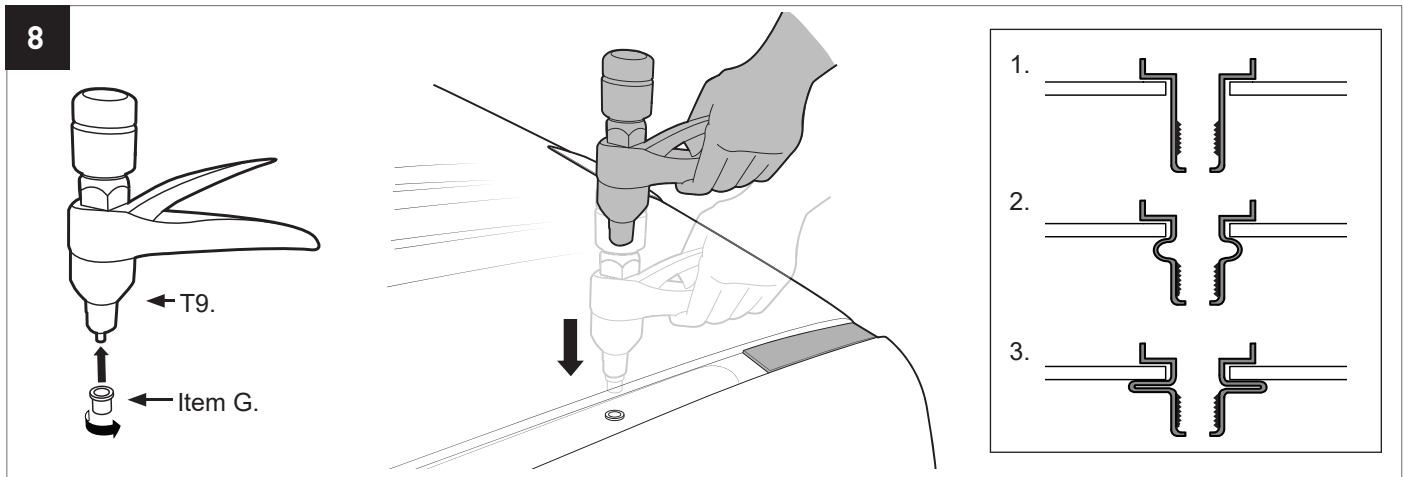
Tools Required:

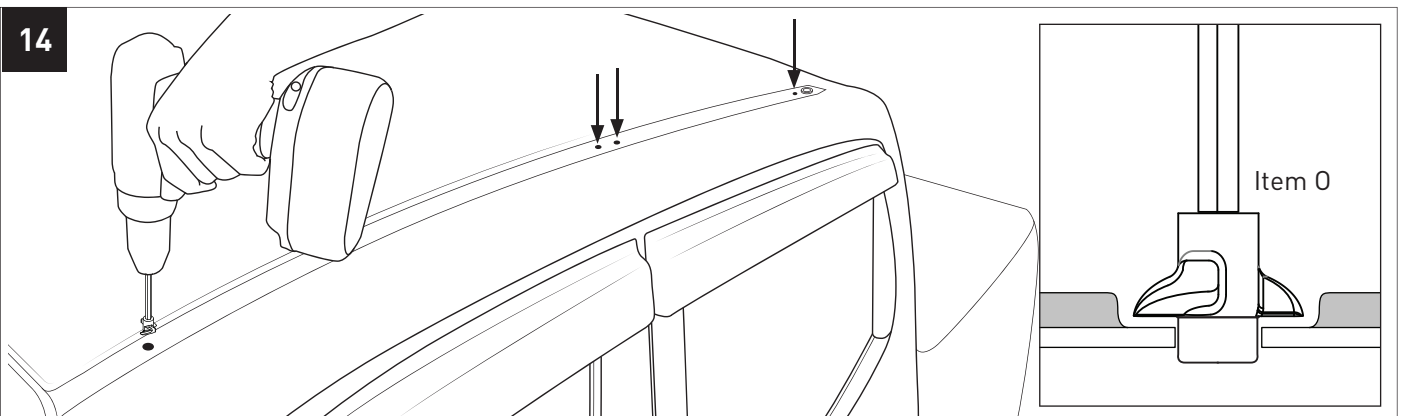
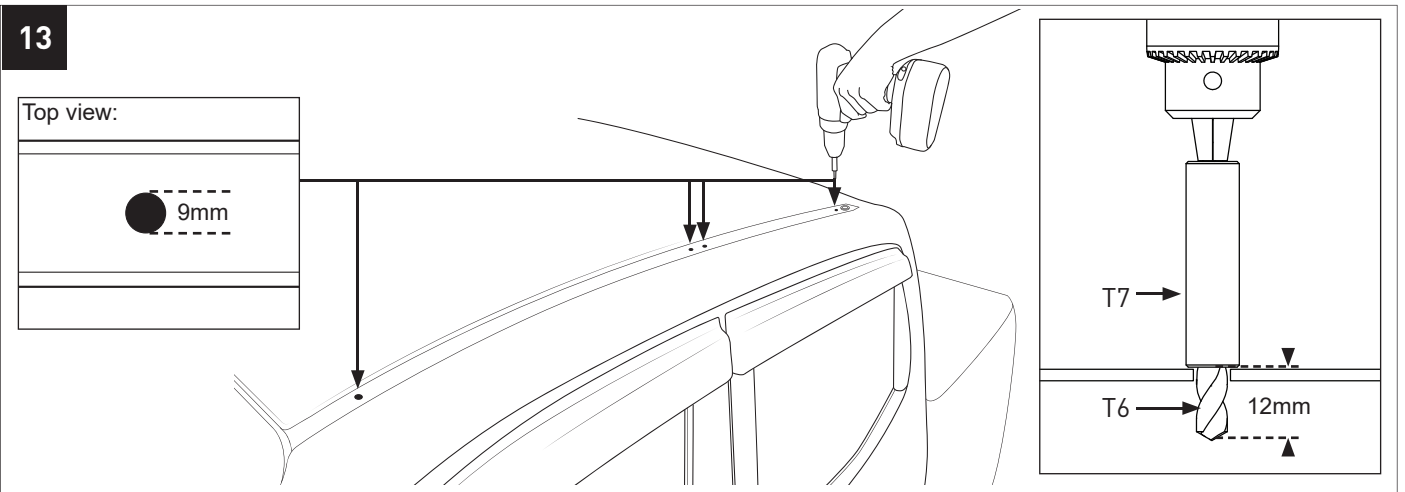
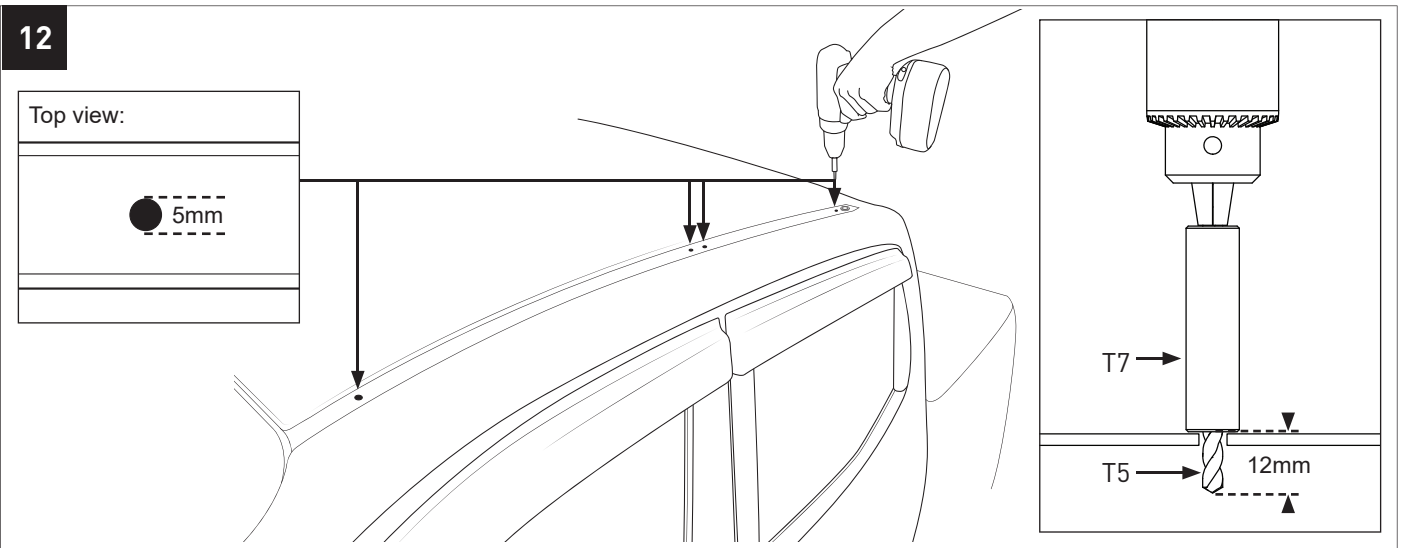
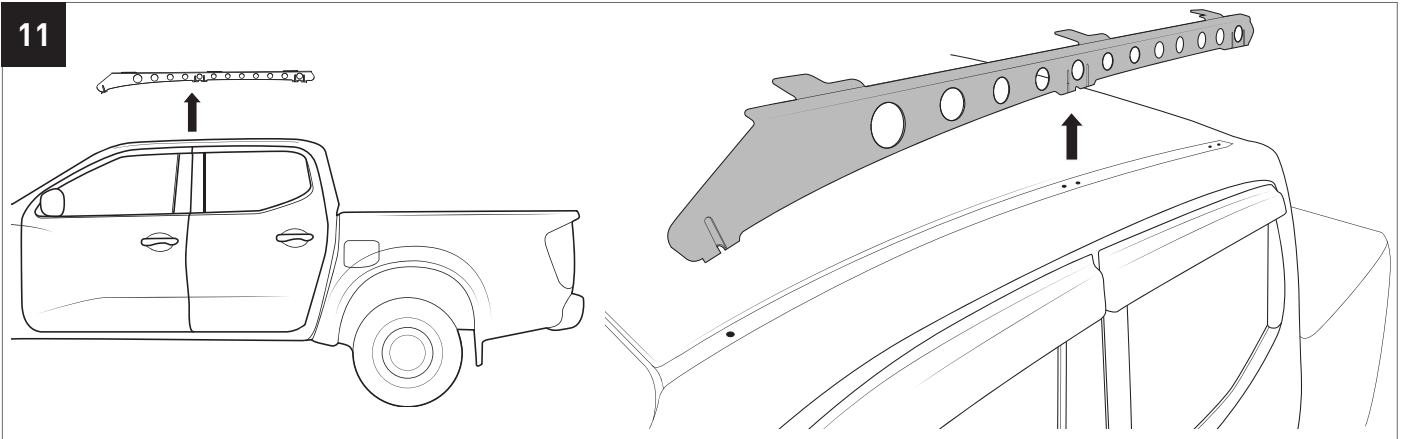
- T1 - Power drill
- T2 - Punch
- T3 - Mallet
- T5 - 5mm drill bit
- T6 - 9mm drill bit
- T7 - Drill stop
- T8 - Marker
- T9 - Rivnut gun
- T10 - Vacuum
- T11 - Cold galvanising paint and cotton buds
- T12 - 13mm socket wrench

RNNB2 Backbone Instructions

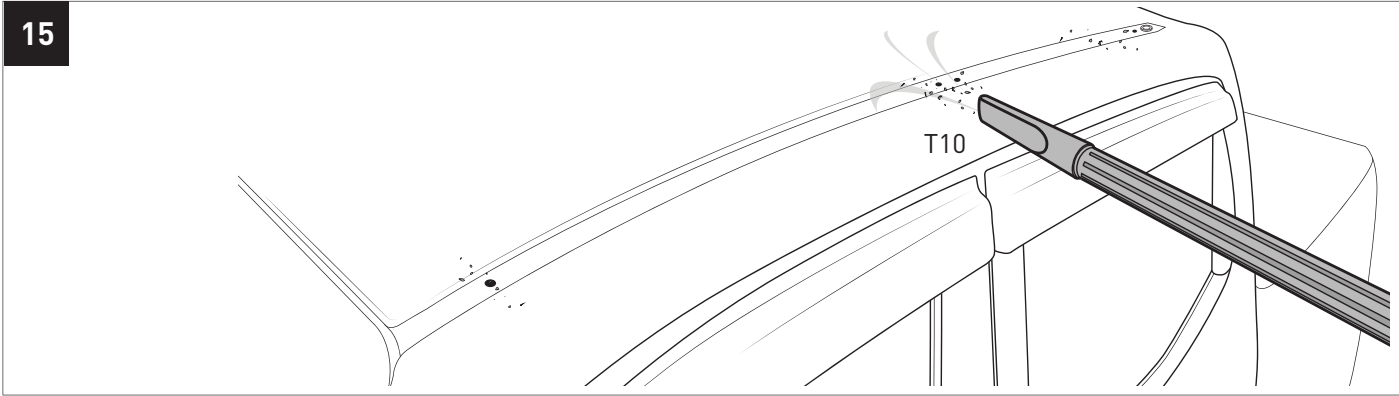




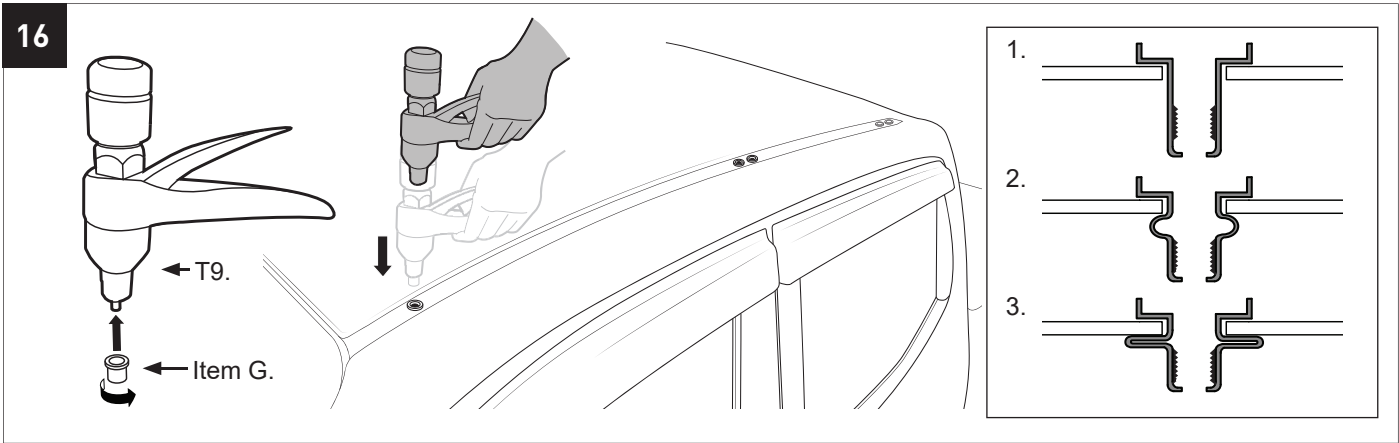




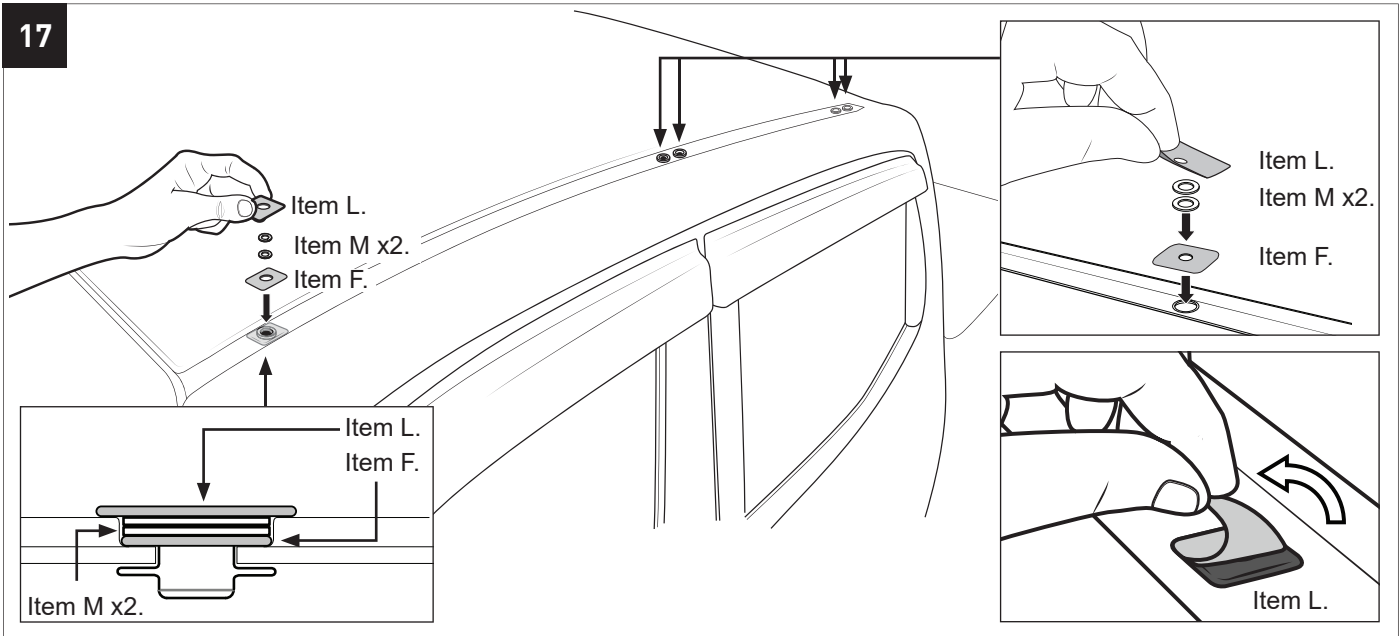
15



16



17



18

